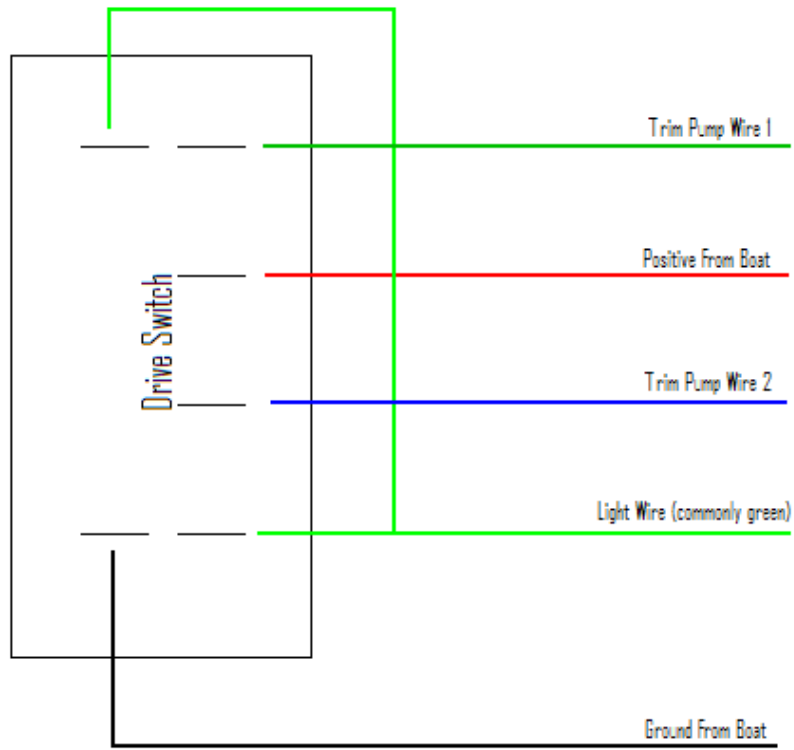


Installation Instructions for Transom Switches

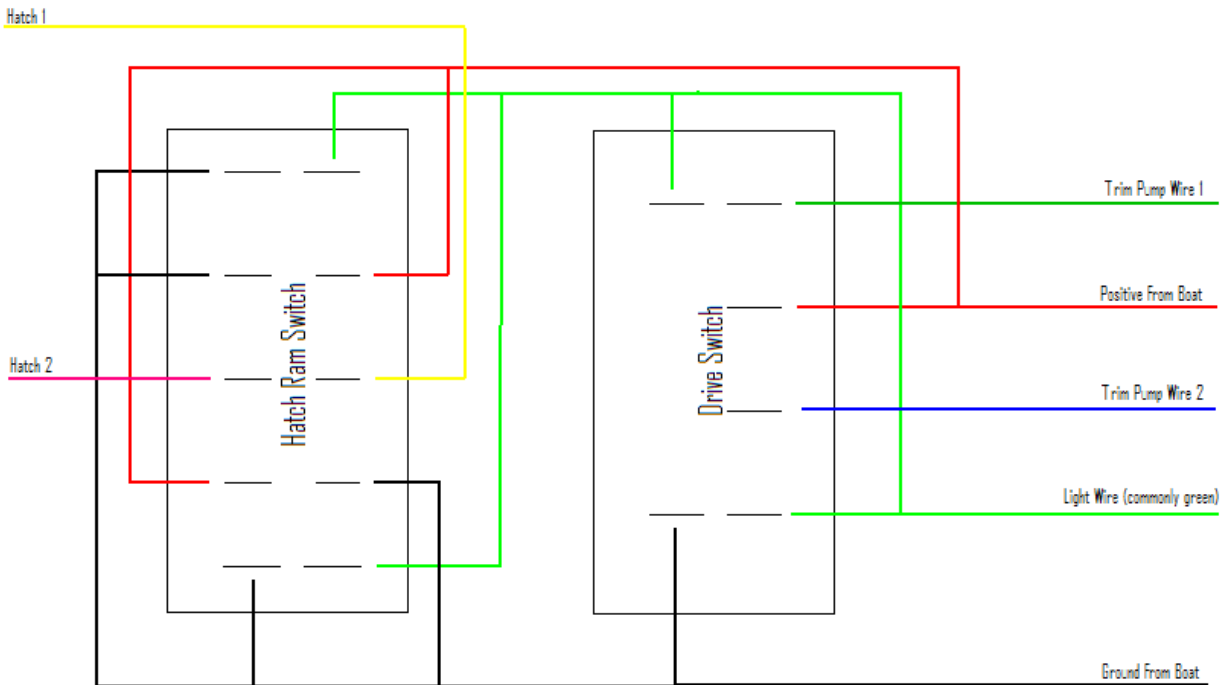
1. Remove switches from transom plate
2. Locate spot on boat where switch is going to go
3. Place masking tape over area where switch is to be mounted
4. Place switch over masking tape
5. With pencil, trace hole pattern on switch onto masking tape (template for drilling/cutting). Also trace all around switch plate. Confirm straight.
6. Very carefully drill the mounting holes with a 3/16" drill bit
7. Take a 3/8" drill bit and drill the corners of the switch holes.
 - a. BE VERY CAREFUL NO WIRES ARE BEHIND.
8. Take jig saw and put blade into corner holes. Cut along lines drawn on tape
 - a. BE VERY CAREFUL NOT TO CUT INTO ANY WIRES.
 - b. BE VERY CAREFUL NOT TO GO OUTSIDE PERIMETER LINES
9. Use file to remove any burs and to get into corners
10. Remove tape
11. Place switches into transom plate and snap into place
12. Place switch into holes and bolt in place.
 - a. Typical screws needed are 8-32 x 1 1/2" long.
 - b. Use stainless only and use anti-seize

Wiring Instructions for Transom Switches

Single Ram Switch



Dual Switch With Hatch Ram



Dual Switch With Hatch Hinges

